

Title: Wet-Tap Assemblies

"Special Product Offering"

Georg Fischer Signet offers several Wet-tap or Hot-tap sensor assemblies that enable operators to safely remove and reinstall a sensor through a ball valve assembly without interrupting the flow in the pipe. This is very useful for applications that require periodic maintenance or calibration.

- Wet-tap assemblies require pipe shutdown for the initial installation.
- Hot-tap assemblies can be installed without interrupting the flow.

Standard Wet-tap and Hot-tap products for Flow measurement:

- 3-3519 Wet-tap valve assembly for 515 and 2536 paddlewheel sensors
- 3-2540-3 or 4 Stainless Steel Hot-tap sensor and valve assembly¹
- 3-2517-2 or 3 Brass Hot-tap sensor and valve assembly¹
- 3-2552 Magmeter Hot-tap length sensor¹ (valve sold separately)

¹ Hot-tap sensors can be installed without interrupting the flow.

Standard Wet-tap product for pH measurement:

- 3-3719 pH / ORP Wet-tap assembly

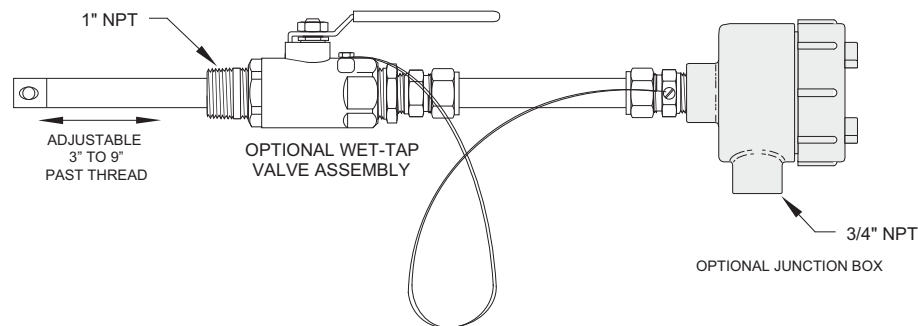
The following products require extended delivery times:**Special order Hot-tap products for Conductivity measurement:**

- 3-2819-1-WTA-1, cell constant 0.01 Special order number 08-020
- 3-2820-1-WTA-1, cell constant 0.1 Special order number 08-021

- 3-2821-1-WTA-1, cell constant 1.0 Special order number 08-022
- 3-2822-1-WTA-1, cell constant 10.0 Special order number 08-023
- 3-2823-1-WTA-1, cell constant 20.0 Special order number 08-024

Special order Hot-tap product for pH and ORP measurement:

- P72131-12 pH sensor assembly with temperature compensated Special order number 07-121
- P72331-2 ORP sensor assembly Special order number 07-121



Contact your Georg Fischer Signet LLC representative for more information and pricing.

Georg Fischer Signet LLC

3401 Aerojet Avenue, El Monte, CA 91731-2882 U.S.A. • www.gfsignet.com • E-mail: signet.ps@georgfischer.com
© Copyright 2008 Georg Fischer Signet LLC. Specifications subject to change without notice. All rights reserved.
All corporate names and trademarks stated herein are the property of their respective companies.